

Built Tough. Priced Right.

electric and gas driven
Specializing in compressed air for over a century

Reciprocating Air Compressors

5-15 Horsepower

Value Plus™



VP10



VP20



VP30



VP40



VP60

When you purchase a Champion Value Plus™ air compressor, you know you have purchased one of the finest compressors in the industry. The Value Plus compressor line was engineered for industrial applications that require a gas or electric driven compressor. Each compressor was designed with top quality bearings, cast iron cylinders, vibration free compressor pumps to insure longevity of the compressor package. The Value Plus Series is just another quality air compressor in the Champion air compressor line-up.

COMPRESSOR PUMP SPECIFICATIONS

- Splash Lubricated
- Single and Two Stage Design
- 100% Cast Iron
- Oil Level Site Glass
- Pressure Relief Valves
- Large Flywheel Blades for Maximum Cooling
- Deep Finned Intercooler
- Industrial Grade Intake Filter and Silencer
- Capable of Pressures up to 175 PSIG
- Factory Filled With Champlub AC Lubricant
- All Pumps Are Factory Tested Prior to Shipment

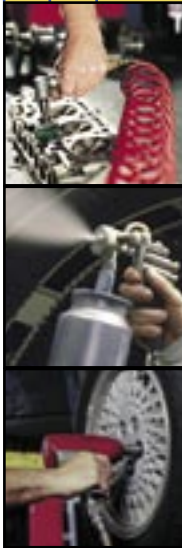
STANDARD EQUIPMENT

- Automatic Start/Stop Operation
- OSHA Approved Belt Guard
- NEMA Rated Electric Motors
- ASME Coded Air Receivers
- Manual Tank Drain
- 0-300 PSIG Air Pressure Gauge on Receiver
- Preset Pressure Switch
- Available Voltages - 208/230/460

AVAILABLE OPTIONS

- Pneumatic* and Electric Tank Drains
- Magnetic Starters
- Vibration Isolators
- Low Oil Level Monitor

* Not available with 3600 RPM motors





SIMPLEX PACKAGE SPECIFICATIONS

MODEL MATRIX CDSVPA

HP	Model No	CFM Delivery	Phase	Voltage	Compressor Pump	Tank Gallons	Style	Dimensions			Tank Outlet
								L	W	H	
3	3V60E	10.2 @ 100#	1	230	VP10	60	V	30	20	65.5	½ NPT
5	5V60E	15.9 @ 175#	1	230	VP20	60	V	30	20	65.5	½ NPT
5	5H80E		1	230	VP20	80	H	66.5	21	39.5	½ NPT
5	5H80E		3	208/230/460	VP20	80	H	66.5	21	39.5	½ NPT
5	5V80E		1	230	VP20	80	V	33.75	24.5	69	½ NPT
5	5V80E		3	208/230/460	VP20	80	V	33.75	24.5	69	½ NPT
7.5	7.5H80E		22.5 @ 175#	1	230	VP30	80	H	65.5	24	41.75
7.5	7.5H80E	3		208/230/460	VP30	80	H	65.5	24	41.75	½ NPT
7.5	7.5V80E	1		230	VP30	80	V	37.5	24	70	½ NPT
7.5	7.5V80E	3		208/230/460	VP30	80	V	37.5	24	70	½ NPT
10	10H80E	28.6 @ 175#	3	208/230/460	VP40	80	H	66.5	21	43.75	¾ NPT
10	10H120E		3	208/230/460	VP40	120	H	70	21	48	¾ NPT
15	15H120E	44.4 @ 175#	3	208/230/460	VP60	120	H	72	30	54	1¼ NPT

ENGINE DRIVEN PACKAGE SPECIFICATIONS

MODEL MATRIX CDEVPA

HP	Model No	CFM Delivery	Phase	Voltage	Compressor Pump	Tank Gallons	Style	Dimensions			Tank Outlet
								L	W	H	
8	HGM3-3	14 @ 175#	N/A	GAS DRIVEN	VP20	30	H	23	42	41	½ NPT

COMPRESSOR PUMP SPECIFICATIONS

MODEL MATRIX CDPVPA

Pump	HP	Stage No.	Cylinders No.	Comp.Pump RPM	Diam. Flywheel	Diam. Pulley	Bore and Stroke	Valves	Oil Capacity
VP10	5	1	2	1340	10	3.95	2.5 x 2.5 - 1.9	Reed	.5
VP20	5	2	2	984	16.54	9.75	3.5 x 2 - 3.4	Reed	1
VP30	7.5	2	2	974	16.54	9.35	4.7 x 2.5 - 3.0	Reed	1
VP40	10	2	2	817	16.54	7.75	6.1 x 3.4 - 3.0	Disc	1.5
VP60	15	2	3	1015	19.70	11.35	4.7 x 4.7 - 3.3	Reed	1.6



1301 North Euclid Avenue
 Princeton, Illinois 61356 USA
 Phone 888/436-5499
 Fax 815/872-0421
 E-mail: Champion@championpneumatic.com
www.championpneumatic.com



BUILT TOUGH. PRICED RIGHT.

CHAMPION® CENTURION® II
RECIPROCATING TWO-STAGE AIR COMPRESSORS.

RECIPROCATING AIR COMPRESSORS

CENTURION® II
5—7.5—10—15 HORSEPOWER



At Champion, air compressor systems are our only products. We know and understand the application of our products in many different operating environments. Our goal is to provide you with the compressors that fulfill—and exceed—your expectations and requirements.

LONG-LASTING PERFORMANCE.

Loaded with rugged features, splash-lubricated Centurion II Series reciprocating compressors deliver long-lasting performance and tremendous value. Special-alloy steel reed valves provide a self-cleaning design that maintains peak performance throughout the life of the compressor. Cast iron cylinders and heads offer rugged, industrial-rated dependability. Tank-mounted units are available in 5, 7.5, 10 and 15 horsepower models, mounted on horizontal or vertical ASME coded air receivers for maximum installation versatility.

COMPRESSOR PUMP SPECIFICATIONS

- Splash Lubricated
- Two-Stage Design
- 100% Cast Iron Compressor Pump
- Alloy Steel Reed Valves
- Oil Level Site Glass
- Deep Finned Intercooler
- Industrial Grade Intake Filter and Silencer
- Factory Filled with ChampLub AC Lubricant
- All Pumps are Factory Tested Prior to Shipment

STANDARD EQUIPMENT

- Automatic Start/Stop Operation
- OSHA Approved Belt Guard
- NEMA-Rated Electric Motors
- ASME Coded Receivers
- Bucket High Drain Valve
- 0-300 PSIG Air-Pressure Gauge on Tank
- Preset Pressure Switch
- Available Voltages - 208/230/460/575

AVAILABLE OPTIONS

- Pneumatic* and Electric Tank Drains
- Magnetic Starters
- Vibration Isolators
- Low Oil Level Monitor*
- Air Cooled Aftercoolers

* Not available with 3450 rpm motor



SELECT THE CENTURION II COMPRESSOR THAT'S RIGHT FOR YOU.

MODEL MATRIX CCSRVA

HP	Tank Cap. Gal.	Unit Model	Pump Comp. Model	Dimensions L x W x H inches	Aprox. Ship Wt. lbs.	125 PSI Rating*			175 PSI Rating*		
						RPM	CFM Displ.	CFM Del'y	RPM	CFM Displ.	CFM Del'y
**5	60	HRV5-6	RV-15A	51½ x 22¾ x 47¼	445	805	23.5	19.1	760	22.1	16.5
	80	HRV5-8		66½ x 22¾ x 47¼	530						
	120	HRV5-12		72¼ x 24 x 54	760						
	60	VRV5-6		32½ x 24½ x 76	450						
	80	VRV5-8		33 x 26⅝ x 76	530						
	120	VRV5-12		42½ x 30 x 79	760						
7.5	60	HRV7F-6		51½ x 22¾ x 47¼	510	990	28.7	23.9	990	28.7	23.1
	80	HRV7F-8		66½ x 22¾ x 47¼	595						
	120	HRV7F-12		72½ x 24 x 53⅝	820						
	60	VRV7F-6		32½ x 24½ x 76	515						
	80	VRV7F-8		33 x 26⅝ x 76	595						
	120	VRV7F-12		42½ x 30 x 79	820						
10	80	HRV7-8	RV-30A	66½ x 22¾ x 48½	595	670	39.6	30	575	33.5	25.8
	120	HRV7-12		72½ x 24 x 54	820						
	120	VRV7-12		42½ x 30 x 79	820						
10	80	HRV10-8		66½ x 22¾ x 47½	675	810	48.5	37.3	740	43.1	34.8
	120	HRV10-12		72½ x 24 x 54	890						
	80	VRV10-8		42½ x 30 x 66¾	675						
15	120	VRV10-12		46⅜ x 30 x 79¾	910	1045	63.5	49.0	1045	63.5	49.0
	80	HRV15F-8		66½ x 22¾ x 48½	740						
	120	HRV15F-12		72½ x 24 x 54	960						
15	120	VRV15F-12	46⅜ x 30 x 79¾	980							

*Units tested in accordance with CAGI/PNEUROD Acceptance Test Code PN2CPTC2. **Available with either 1750 or 3450 RPM. 3450 RPM motors come with built-in TOLP (starter not required).

THE CHAMPION EXPRESS LIMITED WARRANTY.

Champion warrants each new air compressor unit to be free from defects in material and workmanship under normal use and service for a period of one year (12 months) from the date of installation or 15 months from the date of shipment by Champion. Each new Champion Centurion II Assembled Unit has a two (2) year warranty on the compressor pump only against defects in materials or workmanship under normal use and service, from the date of installation or thirty (30) months from the date of shipment by a Champion distributor, whichever may occur first. Head valves are warranted for the first year only. Champion makes no warranty on components and/or accessories furnished to Champion by third parties, such as electric motors and controls. These are warranted only to the extent of the original manufacturer's warranty to Champion. Electric motors must be equipped with thermal overload protection to have warranty consideration. Warranty for electric motors is 60 months from start-up or 63 months from shipment.



RV-15A



RV-30A

MODEL MATRIX CCPRVA



1301 North Euclid Avenue
Princeton, Illinois 61356 USA
Phone 815/875-3321
Fax 815/872-0421
E-mail: Champion@championpneumatic.com
www.championpneumatic.com
For Sales Inquiries call 888-436-5499



R & PL SERIES

1.5—30 HORSEPOWER

RECIPROCATING AIR COMPRESSORS



PROVEN DESIGN.

PROVEN DEPENDABILITY.



At Champion, air compressor systems are our only products. We know and understand the application of our products in many different operating environments. Our goal is to provide you with the compressors that fulfill — and exceed — your expectations and requirements.

Because compressed air is an essential utility, dependability is an essential compressor quality. If your compressor goes down, it can hurt your reputation — and your bottom line. Champion reciprocating compressors are proven units, known for their reliability over decades of use. In addition to dependability, you want a compressor that is user-friendly. Champion comes through again, with a wide selection of configurations and options designed for trouble-free operation.

You can't beat a Champion!



R & PL SERIES

1.5—30 HORSEPOWER

RECIPROCATING AIR COMPRESSORS

CHAMPION RECIPR

PROVEN DESIGN.

Today's Champion Reciprocating Compressors are the product of decades of design and development. In fact, we introduced the first single-stage compressor in 1919 and have continuously improved its design through innovations in materials, production techniques and quality control.



LOCATING COMPRESSORS... THE VALUE LEADERS.

PROVEN DEPENDABILITY.

You rely on compressed air to perform many tasks efficiently. Champion knows that reliability is one of the main reasons for a purchase. Our slow speed, built-in efficiency through design and the longest compressor warranty in the industry make Champion compressors the correct choice!

HIGH PERFORMANCE.

R- and PL-Series compressors are loaded with features designed for day-in, day-out performance. For example, Champion's unique automotive-type domed piston design allows the use of large diameter, low lift valves, while minimizing clearance volume for maximum air delivery.

LONG LIFE.

Features such as slow speed operation, rugged cast iron crankcase construction, corrosion resistant steel valves and tapered roller-type main bearings all contribute to long life.

USER-FRIENDLY DESIGN.

A wide selection of configurations and available options, coupled with serviceability features make it easy to operate and maintain a Champion compressor. Compare all the features on the pages that follow. You'll discover why Champion is the value leader in reciprocating compressors for a broad range of automotive and industrial applications.





R SERIES

1.5—30 HORSEPOWER

RECIPROCATING AIR COMPRESSORS

THE SPLASH-LUBR

Loaded with rugged features, these splash-lubricated compressors

MULTI-FINNED CYLINDERS

Cooler operating temperatures result in longer life and consistent performance over time.

INTEGRAL CYLINDER/HEAD

Gasketless design eliminates the possibility of blown head gaskets for trouble-free operation.

BALANCED PISTONS

Aluminum alloy first-stage piston is weight-matched to the cast iron second-stage piston, ensuring proper balance.

PISTON RINGS

Three compression rings and one oil control ring provide excellent oil control, minimum blow-by and high efficiency air delivery.

LIGHTWEIGHT CONNECTING RODS

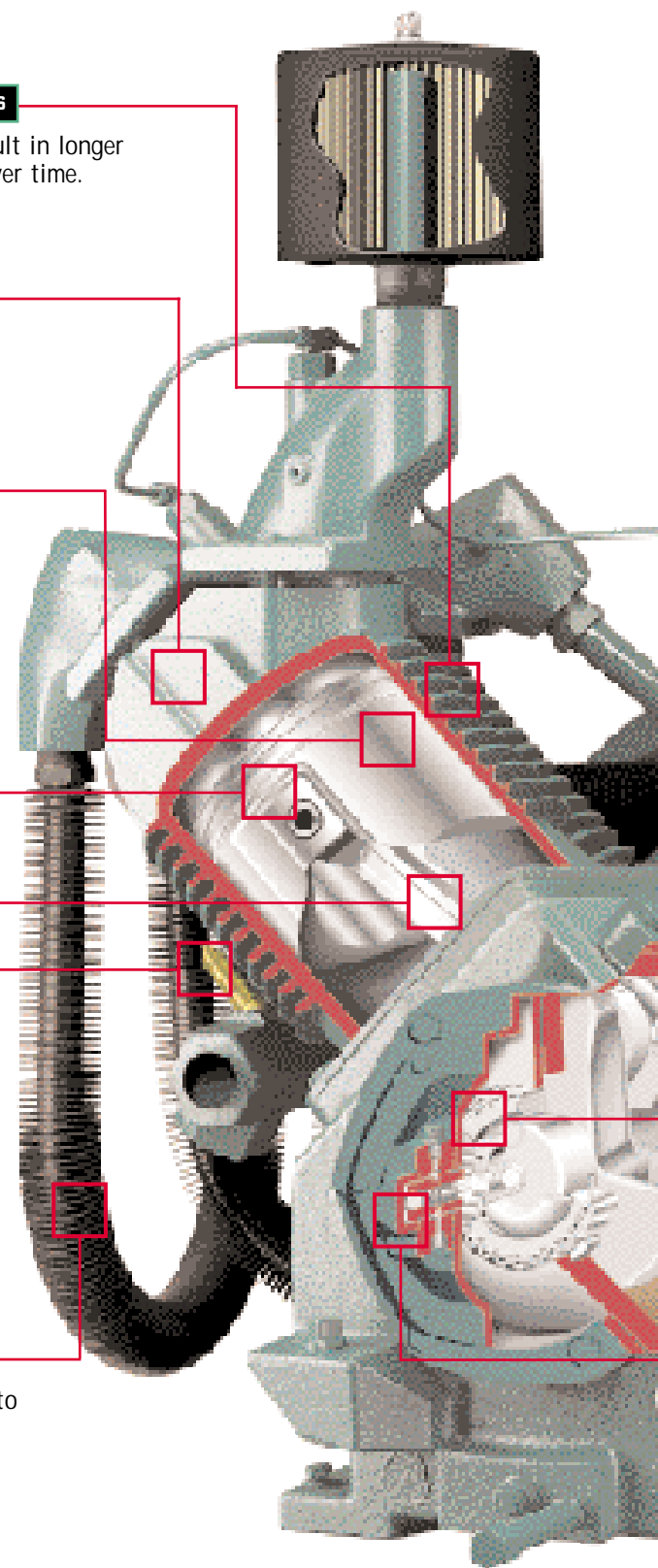
High-density, die-cast aluminum alloy rods minimize reciprocating weight. An integral, precision-bored crankpin bearing and a needle bearing for the piston pin properly distribute bearing loads for longer bearing life than bushings.

PRESSURE RELIEF VALVES

Located in interstage and discharge.

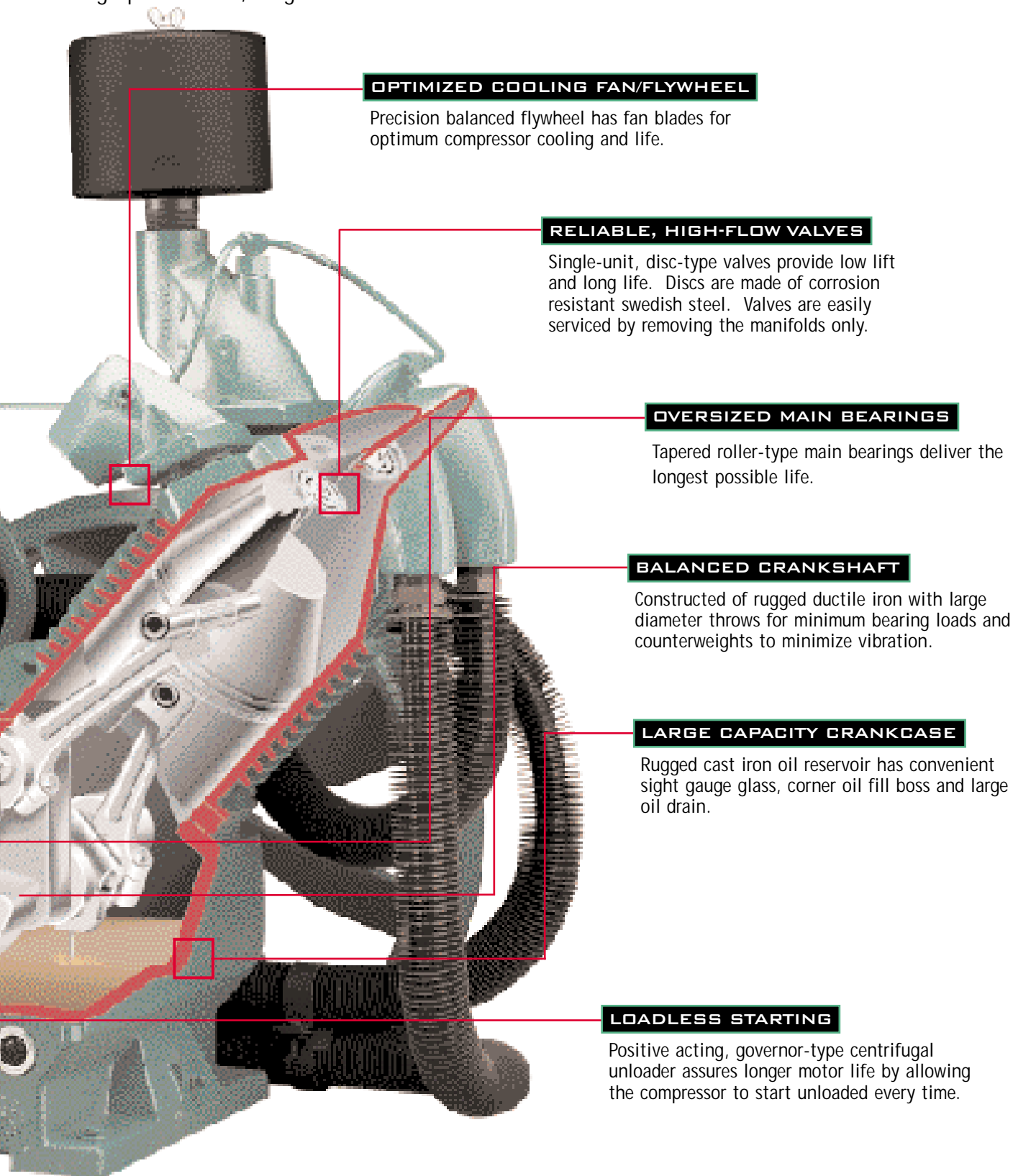
INTERCOOLERS

Large-diameter finned tubing is positioned to obtain the greatest cooling effect between stages for maximum compressor efficiency.



ICATED R-SERIES

deliver high performance, long life and tremendous value.



OPTIMIZED COOLING FAN/FLYWHEEL

Precision balanced flywheel has fan blades for optimum compressor cooling and life.

RELIABLE, HIGH-FLOW VALVES

Single-unit, disc-type valves provide low lift and long life. Discs are made of corrosion resistant swedish steel. Valves are easily serviced by removing the manifolds only.

OVERSIZED MAIN BEARINGS

Tapered roller-type main bearings deliver the longest possible life.

BALANCED CRANKSHAFT

Constructed of rugged ductile iron with large diameter throws for minimum bearing loads and counterweights to minimize vibration.

LARGE CAPACITY CRANKCASE

Rugged cast iron oil reservoir has convenient sight gauge glass, corner oil fill boss and large oil drain.

LOADLESS STARTING

Positive acting, governor-type centrifugal unloader assures longer motor life by allowing the compressor to start unloaded every time.



PL SERIES
3-30 HORSEPOWER

RECIPROCATING AIR COMPRESSORS

THE PRESSURE-LUBRICATED PL-SERIES

The PL-Series compressor has been designed to operate in extreme duty applications and is also an alternative to an R-Series unit. Because the PL-Series can operate up to 250 psi, in remote locations or in off-level operations, it is a true industrial use compressor. Champion is so confident in the way it has engineered and built its products, it offers a 5-year warranty on the compressor pump. The PL-Series features domed pistons, integral cylinder head, disc valves and an oil pump that provides lubricant to all crucial parts of the compressor. From its extra heavy duty design to its ease of maintenance, the Champion PL-Series exemplifies reliability, durability and quality.

PRESSURE LUBRICATION

Crankshaft and connecting rod bearings are pressure lubricated for extended life.

OIL PRESSURE GAUGE

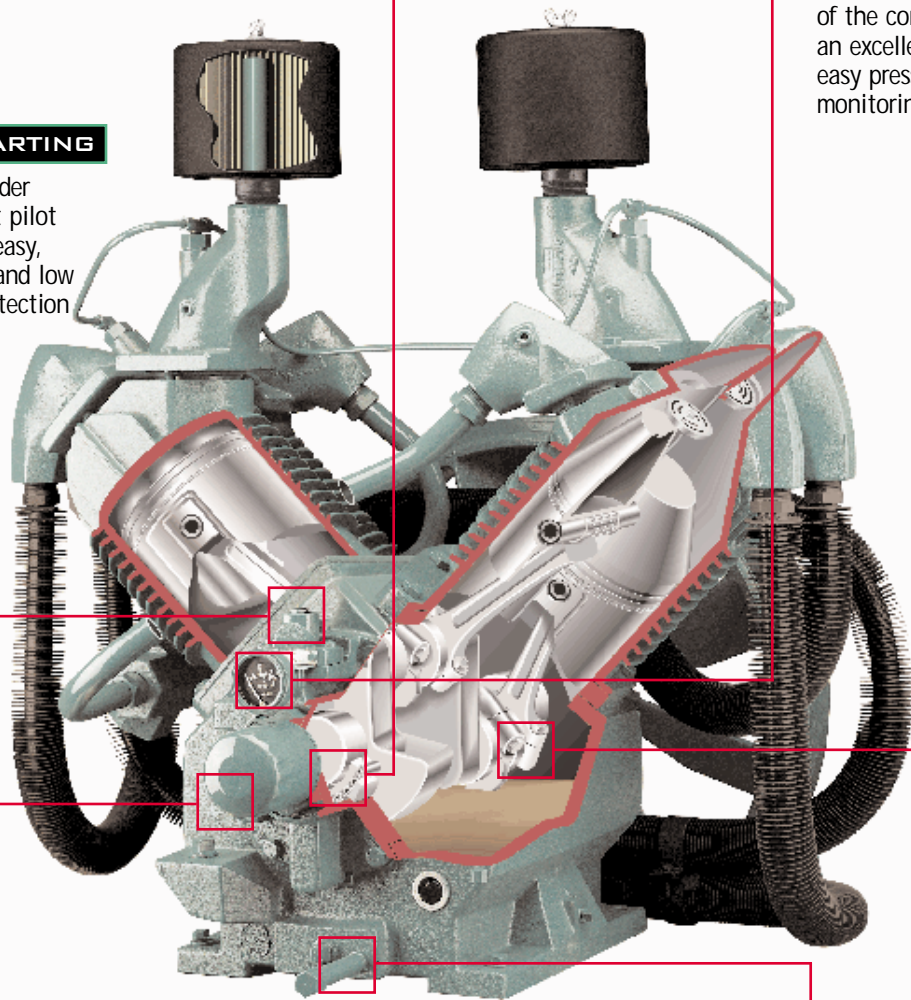
Mounted on the front of the compressor for an excellent view and easy pressure monitoring.

LOADLESS STARTING

Hydraulic unloader with factory set pilot valve provides easy, loadless starts and low oil pressure protection for unattended operation.

BABBITT BEARINGS

Replaceable connecting rod crankshaft end bearings make repairs easy and inexpensive.



POSITIVE DISPLACEMENT OIL PUMP

Provides lubricant to all critical areas of the compressor pump that require lubrication.

INTERNAL FILTRATION

An oil inlet screen is located in the center of the crankcase to protect bearings from larger debris.

SELECT THE CONFIGURATION THAT MATCHES YOUR APPLICATION.

With many models from which to choose in both single-stage and two-stage, we can match your needs exactly. These configurations, combined with a wide choice of options, provide all the components for a customized installation. They are available in both R-Series splash-lubricated and PL-Series pressure-lubricated models.

TWO-STAGE, TANK-MOUNTED AIR COMPRESSORS

Available with horizontal or space-saving vertical tanks.



TWO-STAGE, BASE-MOUNTED AIR COMPRESSORS

Designed for installations where air tanks are remotely located.



TWO-STAGE, DUPLEX AIR COMPRESSORS

For extra air delivery when you need it without wasted space. Plus the flexibility of single operation, alternating between compressors, or duplex operation to meet high air demand.



TWO-STAGE GASOLINE OR DIESEL ENGINE POWERED AIR COMPRESSORS

Take compressed air anywhere it is needed.



TWO-STAGE BARE COMPRESSOR PUMPS

For pump replacement or OEM applications, for the ultimate in air system design.



SELECT THE OPTIONS THAT MATCH YOUR NEEDS.

Many options are available to help you develop a Champion compressor package that exactly matches your specific operating requirements.

CHAMPION COMPRESSOR LUBRICANTS

ChampLub lubricants are blended specifically for Champion compressors for use in harsh compressor environments. They are sourced from extremely stable base stocks and enhanced with carefully selected additive packages to provide long life and superior protection. ChampLub lubricants are suitable for a variety of applications and are available as a mineral oil, synthetic or food-grade synthetic.

Available in 55-gallon drums, five-gallon pails, one-gallon bottles and one-quart bottles.

MAGNETIC STARTER

For thermal overload protection. Required for units 3 HP and up. May be mounted or unmounted.

AIR-COOLED OR WATER-COOLED AFTERCOOLER

Removes up to 65% of the moisture from discharged compressed air.

AUTOMATIC TANK DRAIN (PNEUMATIC)

Automatically removes water from air receiver upon demand. Eliminates the need for manual purging.

REFRIGERATED AIR DRYER

Cools compressed air to a 33°-39° dew point, eliminating additional downstream condensation in the air line. Normally, a dryer should be used in conjunction with an aftercooler.

OIL MONITOR

Monitors oil level. Unit is not allowed to start or restart if oil is not at the proper level. Operated through magnetic starter. (This is not an oil shutdown device.)

UL LISTED PACKAGES

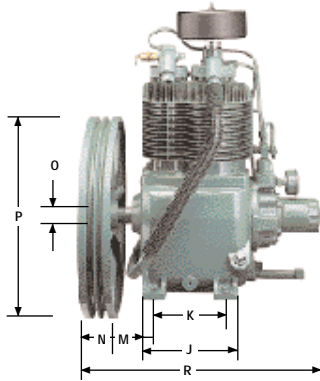
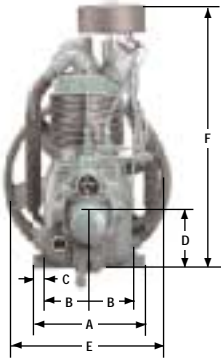
Special UL listed packages are available in 5 and 10 horsepower configurations using 230/3/60 electric motors. Contact the factory for exact specifications.

OTHER OPTIONS

- Power Monitor shuts down unit in the event of single phasing, low voltage or phase reversal.
- Constant Speed Control prevents excessive motor start/stop cycles while saving energy.
- Dual Control allows compressor to run either in start/stop or constant speed mode.

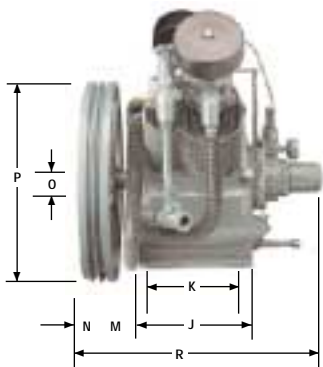
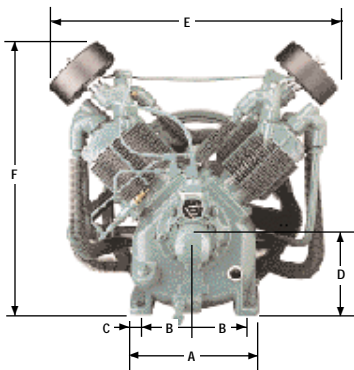
R & PL-SERIES BARE-PUMP DIMENSIONS

R10D, R15B, PL-15

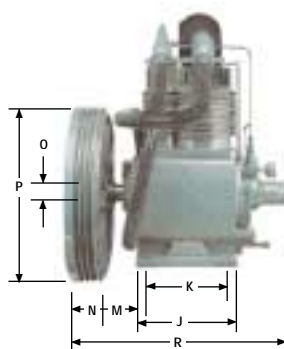
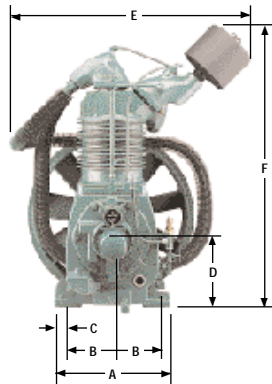


Item	R-10D R15B, PL-15 Inch	R-30D & PL-30 Inch	R-40A & PL-40 Inch	R-70A PL-70 Inch
A	Base — Width	10	11 ¹ / ₈	12 ⁷ / ₈
B	Boltdown — Width	4 ³ / ₈	4 ³ / ₁₆	5 ¹¹ / ₁₆
C	Boltdown to Edge	⁵ / ₈	³ / ₄	³ / ₄
D	Base to Crank CTR	5 ¹ / ₂	7	7 ¹⁵ / ₁₆
E	Overall Width	18	27	30
F	Overall Height	23 ¹ / ₄	23 ⁹ / ₁₆	32
H	HP Exh. Opening Manifold	³ / ₄ " Tubing	³ / ₄ " NPT	1" Tubing
I	Boltdown Hole Dia.	¹⁵ / ₃₂	¹⁷ / ₃₂	⁹ / ₁₆
J	Base — Depth	7 ¹ / ₂	9 ³ / ₄	12
K	Boltdown — Depth	5 ³ / ₄	8 ¹ / ₁₆	10
L	Boltdown to Edge	⁷ / ₈	²⁷ / ₃₂	1
M	Bolt Hole to Wheel (Max.)	3	3 ¹ / ₁₆	5 ³ / ₄
N	Flywheel — Width	2 ¹ / ₂	2 ²³ / ₃₂	3 ¹ / ₂
O	Crank Diameter	¹⁵ / ₁₆	1 ³ / ₄	2 ¹ / ₄
P	Flywheel Diameter	16 ¹ / ₂	18 ⁷ / ₈	22
Q	Flywheel	2VB	2VB	3VB
R	Overall Depth	20	22 ³ / ₈	27 ¹ / ₂
Approximate Shipping Weight (lbs.)		125	220	440

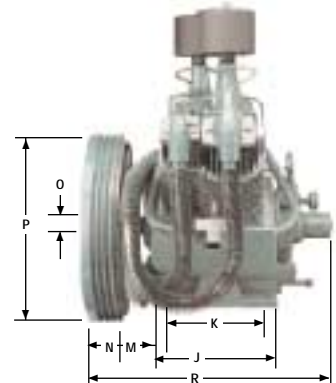
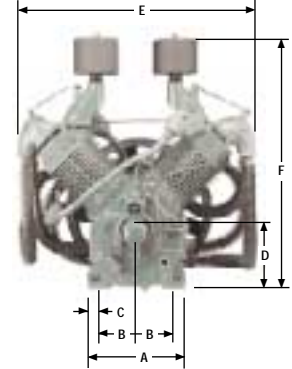
R-30 & PL-30



R-40A & PL-40



R-70A & PL-70



SPLASH & PRESSURE LUBRICATED — HORIZONTAL & VERTICAL TANK (ELECTRIC)

Horizontal Tank								125 PSI Rating*			175 PSI Rating*			250 PSI Rating*				
Motor HP	Tank Cap Gal.	Splash R-Series Model	Pump Comp. Model	Pressure PL-Series Model	Pump Comp. Model	L x W x H Dimensions inches	Aprox. Ship Wt. lbs.	RPM	CFM Displ.	CFM Del'y	RPM	CFM Displ.	CFM Del'y	RPM	CFM Displ.	CFM Del'y		
1½	30	HR1-3	R-10D	—	—	41½ x 21 x 44¾	300	575	11.2	6.0	542	10.5	5.3	—	—	—		
	60	HR1-6		—		51½ x 22¾ x 48½	400											
	80	HR1-8		—		66½ x 22¾ x 48½	425											
2	30	HR2-3		—		41½ x 21 x 44¾	320	765	14.9	8.3	725	14.1	7.5	—	—	—		
	60	HR2-6		—		51½ x 22¾ x 48½	425											
	80	HR2-8		—		66½ x 22¾ x 48½	455											
3	60	HR3-6	R-15B	HPL3-6	PL-15	51½ x 22¾ x 48½	425	485	14.1	10.9	440	12.8	9.7	380	11.0	8.0		
	80	HR3-8		HPL3-8		66½ x 22¾ x 48½	485											
	120	HR3-12		HPL3-12		72½ x 24 x 55	725											
5	60	HR5-6		HPL5-6		51½ x 22¾ x 48½	445	805	23.5	19.1	710	20.7	16.5	640	18.6	13.6		
	80	HR5-8		HPL5-8		66½ x 22¾ x 48½	535											
	120	HR5-12		HPL5-12		72½ x 24 x 55	765											
7½	80	HR7F-8	R-30D	HPL7F-8	PL-30	66½ x 22¾ x 48½	570	1035	29.9	24.6	1035	29.9	23.5	940	27.4	19.4		
	120	HR7F-12		HPL7F-12		72½ x 24 x 55	800											
	80	HR7-8		HPL7-8		66½ x 22½ x 49¾	665										670	39.6
120	HR7-12	HPL7-12		72½ x 24 x 55¼		860												
80	HR10-8	HPL10-8		66½ x 22½ x 49¾		675	810	48.5	37.3	740	43.1	34.8	640	37.1	27.5			
120	HR10-12	HPL10-12		72½ x 24 x 55¼		890												
250	HR10-25	—	—	87½ x 34¼ x 61¾	1283													
15	80	HR15F-8	R-40A	—	PL-40	66½ x 22½ x 49¾	740	1045	63.5	50.2	1045	63.5	49.0	900	52.5	42.6		
	120	HR15F-12		HPL15F-12		72½ x 24 x 55¼	960											
	250	HR15F-25		HPL15F-25		88½ x 31 x 60¾	1275											
20	120	HRA15-12		R-70A		HPL15-12	PL-70	73½ x 27¾ x 62½	1110	890	71.1	59.0	770	61.5	53.7	700	55.9	45.8
	250	HRA15-25				HPL15-25		88½ x 31 x 68¾	1495									
	120	HRA20-12				HPL20-12		73½ x 27½ x 64	1325									
250	HRA20-25	HPL20-25	88½ x 31 x 70¼	1790														
120	HRA25-12	HPL25-12	73½ x 27½ x 64	1365	890	127.8	102.1	770	109.4	90.1	660	93.7	76.8					
250	HRA25-25	HPL25-25	88½ x 31 x 70¼	1735														
120	HRA30-12	HPL30-12	73½ x 27½ x 64	1404										890	127.8	102.1	890	127.8
250	HRA30-25	HPL30-25	88½ x 31 x 70¼	1774														

Vertical Tank								125 PSI Rating*			175 PSI Rating*			250 PSI Rating*		
Motor HP	Tank Cap Gal.	Splash R-Series Model	Pump Comp. Model	Pressure PL-Series Model	Pump Comp. Model	L x W x H Dimensions inches	Aprox. Ship Wt. lbs.	RPM	CFM Displ.	CFM Del'y	RPM	CFM Displ.	CFM Del'y	RPM	CFM Displ.	CFM Del'y
3	60	VR3-6	R-15B	VPL3-6	PL-15	32½ x 22½ x 76½	425	485	14.1	10.9	440	12.8	9.7	380	11.0	8.0
	80	VR3-8		VPL3-8		32 x 24 x 77	485									
	120	VR3-12		VPL3-12		42½ x 30 x 80½	725									
5	60	VR5-6		VPL5-6		32½ x 22½ x 76½	455	805	23.5	19.1	710	20.7	16.5	640	18.6	13.6
	80	VR5-8		VPL5-8		33 x 24 x 77	535									
	120	VR5-12		VPL5-12		42½ x 30 x 82	765									
7½	80	VR7F-8	R-30D	VPL7F-8	PL-30	33 x 24 x 77	570	1035	29.9	24.6	1035	29.9	23.5	940	27.4	19.4
	120	VR7F-12		VPL7F-12		42½ x 30 x 82	800									
	80	VR7-8		VPL7-8		42½ x 30 x 82	665									
120	VR7-12	VPL7-12		46¾ x 30 x 82		800										
80	VR10-8	VPL10-8		42½ x 30 x 66¾		860	810	48.5	37.3	740	43.1	34.8	640	37.1	27.5	
120	VR10-12	VPL10-12		46¾ x 30 x 80¾		890										
15	120	VR15F-12	PL-40	—	—	46¾ x 30 x 80¾										890

NOTE: Pressure lubricated units are capable of 250 PSIG operation.

SPECIFICATIONS

SPLASH & PRESSURE LUBRICATED — BASE MOUNT (ELECTRIC)

Motor HP	Splash R-Series Model	Pump Comp. Model	Pressure PL-Series Model	Pump Comp. Model	L x W x H Dimensions inches	Aprox. Ship Wt. lbs.	125 PSI Rating*			175 PSI Rating*			250 PSI Rating*		
							RPM	CFM Displ.	CFM Del'y	RPM	CFM Displ.	CFM Del'y	RPM	CFM Displ.	CFM Del'y
1½	BR-1	R-10D	—	—	29½ x 21 x 29¼	205	575	11.2	6.0	542	10.5	5.3	—	—	—
2	BR-2		—			205	765	14.9	8.3	725	14.1	7.5	—	—	—
3	BR-3	R-15B	BPL-3	PL-15	30½ x 21 x 29¼	230	485	14.1	10.9	440	12.8	9.7	380	11.0	8.0
5	BR-5		BPL-5			280	805	23.5	19.1	710	20.7	16.5	640	18.6	13.6
7½	BRF-7		BPL-7F			310	1035	29.9	24.6	1035	29.9	23.5	940	27.4	19.4
	BR-7	BPL-7	430	670	39.6	30.0	575	33.5	25.8	520	30.2	21.3			
10	BR-10	R-30D	BPL-10	PL-30	42¾ x 22½ x 28¾	540	810	48.5	37.3	740	43.1	34.8	640	37.1	27.5
15	BRF-15		BPL-15F			550	1045	63.5	50.2	1045	63.5	49.0	900	52.5	42.6
		BRA-15	R-40A	BPL-15	PL-40	49½ x 26¼ x 38	730	890	71.1	59.0	770	61.5	53.7	700	55.9
20	BRA-20	R-70A	BPL-20	PL-70	53 x 27½ x 39½	1000	770	109.0	91.9	655	93.0	76.7	545	77.4	64.1
25	BRA-25		BPL-25			1020	890	127.8	102.1	770	109.4	90.1	660	93.7	76.8
30	BRA-30		BPL-30			1059	890	127.0	102.1	890	127.0	101.1	770	109.4	90.0

SPLASH & PRESSURE LUBRICATED — TWO-STAGE (ENGINE DRIVEN)

Motor HP	Tank Cap Gal.	Splash R-Series Model	Pump Comp. Model	Pressure PL-Series Model	Pump Comp. Model	L x W x H Dimensions inches	Splash Aprox. Ship Wt. lbs.	Pressure Aprox. Ship Wt. lbs.	175 PSI Rating**			250 PSI Rating**		
									RPM	CFM Displ.	CFM Del'y	RPM	CFM Displ.	CFM Del'y
8	30	HGR3-3	R-15B	HGPL3-3	PL-15	38 x 22¾ x 45	345	345	600	17.9	14.3	—	—	—
11	30	HGR5-3		HGPL5-3		38 x 22¾ x 45½	409	450	895	26.1	20.1	650	18.9	13.6
	8	HGR5-LP		HGPL5-LP		39¾ x 21¾ x 34¾	404	445				—	—	—
	—	BGR5		BGPL5		36½ x 21 x 28¾	279	320				—	—	—
12½	80	HGR5-8		HGPL5-8		66½ x 21 x 51	514	555	1025	29.9	23.2	—	—	—
	30	HGR6-3	HGPL6-3	38 x 22¾ x 45½	399	440	—	—				—		
	80	HGR6-8	HGPL6-8	66½ x 21 x 51	514	555	—	—				—		
	—	BGR6	BGPL-6	37¾ x 21 x 29¼	279	279								
20	80	HGR10-8	R-30D	HGPL10-8	PL-30	66½ x 21 x 49¾	715	715	765	44.6	34.4	—	—	—
23	5	BGR-12		BGPL-12		46 x 28 x 35¾	645	645	940	55.0	39.5	—	—	—
*27	5	BDRA-15	R-40A	BDPL-15	PL-40	51¼ x 27½ x 40	772	772	910	72.8	59.0	—	—	—
30	5	BGRA-15		BGPLA-15		63 x 41 x 49	1075	1075				—	—	—
*10	30	HDR5-3	R-15B	HDPL-15	PL-15	38 x 32 x 46	500	500	710	20.7	16.5	650	18.9	13.6
	—	BDR5		BDPL-5		38¾ x 21 x 29¾	493	493				—	—	—

*Diesel Driven

**Units tested in accordance with CAGI/PNEUROPE Acceptance Test Code PN2CPTC3.

NOTE: Pressure lubricated units are capable of 250 PSIG operation.

SPLASH & PRESSURE LUBRICATED — TANK-MOUNTED DUPLEX UNITS (ELECTRIC)

Motor HP	Tank Cap Gal.	Splash R-Series Model	Pump Comp. Model	Pressure PL-Series Model	Pump Comp. Model	L x W x H Dimension inches	Aprox. Ship Wt. lbs.	125 PSI Rating*			175 PSI Rating*			250 PSI Rating*		
								RPM	CFM Displ	CFM Del'y	RPM	CFM Displ	CFM Del'y	RPM	CFM Displ	CFM Del'y
3 (2)	80	HR3D-8	R-15B	—	—	67 1/2 x 28 1/2 x 50 1/4	725	485	28.2	21.8	440	25.6	19.4	—	—	—
	120	HR3D-12		—	—	91 3/4 x 26 1/2 x 48 3/4	950	485	28.2	21.8	440	25.6	19.4	—	—	—
5 (2)	80	HR5D-8	R-15B	HPL5D-8	PL-15	67 1/2 x 28 1/2 x 50 1/4	755	805	47.0	38.2	710	41.4	33.0	640	37.2	27.2
	120	HR5D-12		HPL5D-12		91 3/4 x 26 1/2 x 48 3/4	980	805	47.0	38.2	710	41.4	33.0	640	37.2	27.2
7 1/2 (2)		HR7D-12	R-30D	HPL7D-12	PL-30	91 3/4 x 26 1/2 x 50 1/4	1485	670	79.2	60.0	575	67.0	51.6	520	60.4	42.6
	10 (2)	HR7DF-25	R-15B	HPL7DF-25	PL-15	87 1/2 x 32 x 64	1485	1035	59.8	49.2	1035	59.8	47.0	940	54.8	38.8
15 (2)		HR7D-25	R-30D	HPL7D-25	PL-30		1675	670	79.2	60.0	575	67.0	51.6	520	60.4	42.6
	HR10D-25	HPL10D-25		1725			810	97.0	74.6	740	86.2	69.6	640	74.2	55.0	
HR15DF-25	HPL15DF-25	1860	1045	127.0	100.4		1045	127.0	98.0	900	105.0	85.2				
20 (2)	HR15D-25	R-40A	HPL15D-25	PL-40	88 1/2 x 55 x 73 1/2	2460	890	142.2	118.0	770	123.0	107.4	700	111.8	91.6	
25 (2)	HR20D-25	R-70A	HPL20D-25	PL-70	88 1/2 x 62 x 74 3/4	2845	770	218.0	183.8	655	186.0	153.4	545	154.8	128.2	
30 (2)	HR25D-25		HPL25D-25			2940	890	255.6	204.2	770	218.8	180.2	660	187.4	153.6	
HR30D-25	HPL30D-25	3018	890	255.6		204.2	890	255.6	202.0	770	218.8	180.0				

R/PL-SERIES/BARE PUMPS

Motor HP	Splash Comp. Model	Pressure Comp. Model	Displ./ Rev (cu. ft.)	125 PSIG Rating*		175 PSIG Rating*		250 PSIG Rating*		Bores in. dia.	Stroke in.	No. cyl.	Oil Cap. qts.	Max. Oper Pressure (PSIG)	Aprox. Ship Wt. lbs.
				RPM	CFM Del'y	RPM	CFM Del'y	RPM	CFM Del'y						
1 1/2	R-10D	—	.01942	575	6.0	542	5.3	—	—	4 5/8 & 2 1/2	2	2	175	125	
2				765	8.3	725	7.5	—	—						
3	R-15B	PL-15A	.02916	497	11.8	440	9.7	380	8.0		3	4			4
5				805	19.1	710	16.5	640	13.6						
7 1/2				1035	24.6	1035	23.5	940	19.4						
10	R-30D	PL-30A	.05828	670	30.0	575	25.8	520	21.3		4	4			4
15				810	37.3	740	34.8	640	27.5						
20	R-40A	PL-40A	.0800	890	59.0	770	53.7	700	45.8	4 1/2	2	4			
				770	91.9	655	76.7	545	64.1						
25	R-70A	PL-70A	.1420	890	102.1	770	90.1	660	76.8	6 1/4 & 3 1/4	4	4	6 1/3	570	
30				890	102.1	890	101.0	770	90.0						

Note: Pressure Lubricated units are capable of 250 PSIG operation

*Units tested in accordance with CAGI/PNEUROP Acceptance Test Code PN2CPTC2.

THE CHAMPION ASSEMBLED UNIT 5-YEAR PUMP WARRANTY

Each new Champion Assembled Unit has a five (5) year warranty on the compressor pump only, against defects in materials or workmanship under normal use and service, from the date of installation or sixty-six (66) months from the date of shipment by Champion or a Champion distributor, whichever may occur first.

**The five-year extended warranty covers parts and labor
and is prorated over the five years as follows:**

Year One— 100% coverage

Year Two— 90% coverage

Year Three— 80% coverage

Year Four— 70% coverage

Year Five— 60% coverage

Head valves are warranted for Year One only. Champion makes no warranty on components and/or accessories furnished to Champion by third parties, such as electric motors, gasoline engines and controls. These are warranted only to the extent of the original manufacturer's warranty to Champion. Electric motors must be equipped with thermal overload protection to have warranty consideration.

The extended five-year warranty will apply to ASME air receivers if they are installed on rubber vibro isolator pads or approved equivalent.

Limited Warranty: Warranty shall not apply to any equipment which has been subjected to misuse, neglect or accident, nor shall it apply to any equipment that has been repaired or altered by any person(s) not authorized by Champion. Failure caused by lack of proper maintenance is not covered by warranty.

In no event shall Champion be liable for consequential damages or contingent liabilities arising out of failure of any compressor or part to operate properly. When a compressor pump or component is changed or replaced during the warranty period, the new/replaced item(s) is warranted for only the remainder of the original warranty period. Complete warranty details are included in compressor operating manual.

CHAMPION

R & PL SERIES
1.5—30 HORSEPOWER
RECIPROCATING AIR COMPRESSORS

ALWAYS EXPECT MORE FROM CHAMPION.

Your Champion distributor has the tools and expertise to serve you in every way. Whether you are looking for parts, service or advice, your Champion distributor will help you maximize the return on your compressor investment.

Backed by solid warranty protection, Champion compressors are supported by a worldwide parts and service network dedicated to returning your compressor to service as quickly as possible.

Champion is now better able than ever to bring you the products, service and know-how that separate the leaders from the rest of the pack. Drawing on decades of experience, we have the products you need to keep you on the cutting edge of productivity and profitability.



1301 North Euclid Avenue
Princeton, Illinois 63156 USA
Phone 815/875-3321
Fax 815/872-0421
E-mail: Champion@championpneumatic.com
www.championpneumatic.com

ONE COMPANY.
ONE SOURCE.

© 1999 Gardner Denver, Inc.
Printed in U.S.A.
Form No. C1-2-5-204 2nd Edition 1/00

Due to Champion's continuing product development program, specifications and materials are subject to change without notice or obligation.

